

B064-Y69 (S2-MF)

Access Control

Single Door

Standalone Card Reader

User Manual

Ver. 1.0

Contents

1. INTRODUCTION	1
1.1 FEATURES	1
2. SPECIFICATIONS	1
2.1 CARTON INVENTORY	2
3. INSTALLATION.....	2
3.1 WIRING	3
3.2 SOUND AND LED STATUS INDICATORS	3
4. CONNECTION DIAGRAM.....	4
5. MASTER CARDS USAGE.....	5
6. PROGRAMMING.....	6
6.1 BASIC CONFIGURATION	6
6.1.1 <i>Enter and Exit Program mode</i>	6
6.1.2 <i>Set Master Code</i>	6
6.2 ADD USER CARDS.....	6
6.3 DELETE USERS.....	7
6.4 SET RELAY CONFIGURATION	7
6.5 SET STRIKE-OUT ALARM	8
6.6 SET AUDIBLE AND VISUAL RESPONSE	8
7. OTHERS	9
7.1 USERS OPERATION.....	9
7.2 RESET TO FACTORY DEFAULT & ADD MASTER CARDS	9
8. QUESTIONS AND ANSWERS.....	10

1. INTRODUCTION

The S2-MF is a compact, waterproof stand-alone programmable access control system that provides proximity entry for up to 1000 users. It uses Atmel microcontroller assures maximum performance in any environment, and the low-power circuit makes its service life prolonged.

The product unique feature is simple in design, easy operation, and high reliability.

1.1 Features

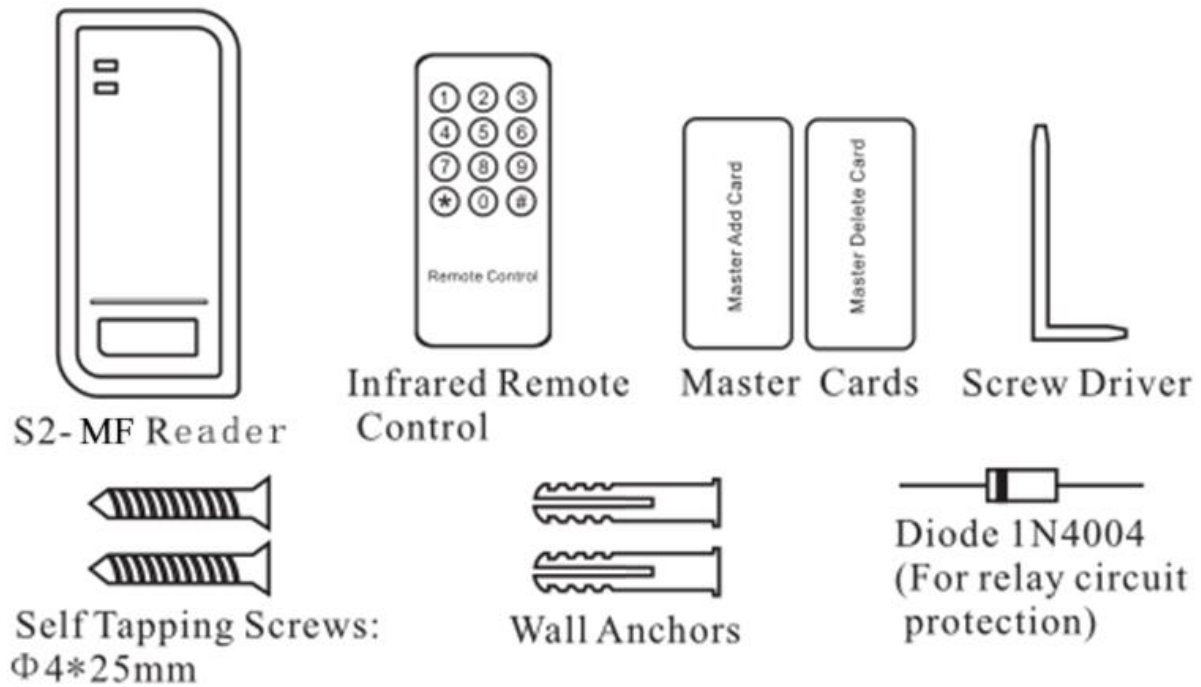
- Waterproof, conform to IP66
- Read 13.56MHz MIFARE card (ISO14443 Type A)
- One programmable relay operation
- Pulse mode, Latch mode
- Remote infrared programmer
- 1000 users
- Two-color LED status display
- Built in light dependent resistor (LDR) for anti-tamper
- Buzzer for audible or silent mode
- Low temperature resistance (-30°C)

2. Specifications

User Capacity Card	1000 13.56MHz MIFARE card
Operating Voltage Idle Current Working Current	9~24V DC ≅ 20mA ≅ 80mA
Proximity Card Reader Radio Technology Read Range	MIFARE (ISO14443A) 13.56MHz Proximity Card ≥3cm
Wiring Connections	Relay Output, Exit Button
Relay Adjustable Relay Output Time Lock Output Load	One (NO, NC, Common) 1-99 Seconds (5 seconds default) 2 Amp Maximum
Environment Operating Temperature Operating Humidity	Meets IP66 -30°C ~60°C 10%RH-98%RH

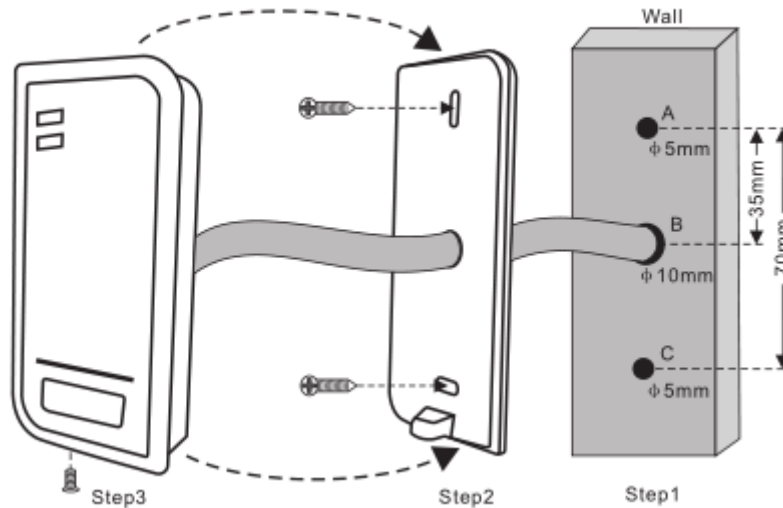
Physical	ABS Shell
Colour	Black (White, optional)
Dimensions	L103* W48 * H20 (mm)
Unit Weight	100g
Shipping Weight	150g

2.1 Carton Inventory



3. INSTALLATION

- Remove the back cover from the unit
- Drill 2 holes (A,C) on the wall for the screws and one hole for the cable
- Knock the supplied rubber bungs to the screw holes(A,C)
- Fix the back cover firmly on the wall with 4 flat head screws
- Thread the cable through the cable hole (B)
- Attach the unit to the back cover



3.1 Wiring

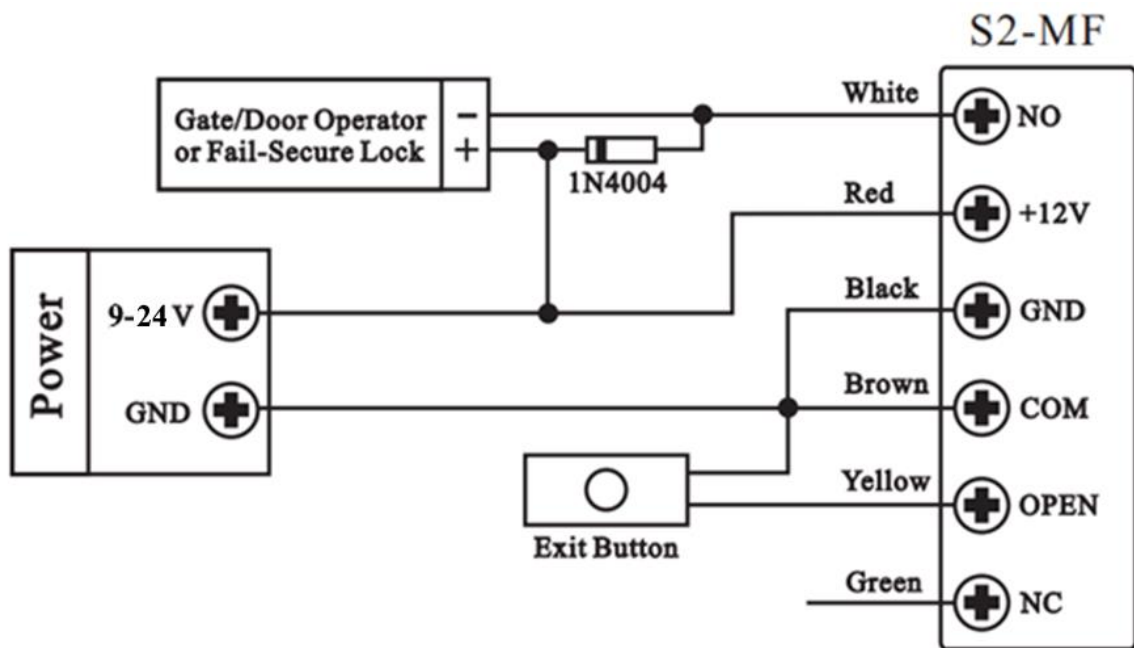
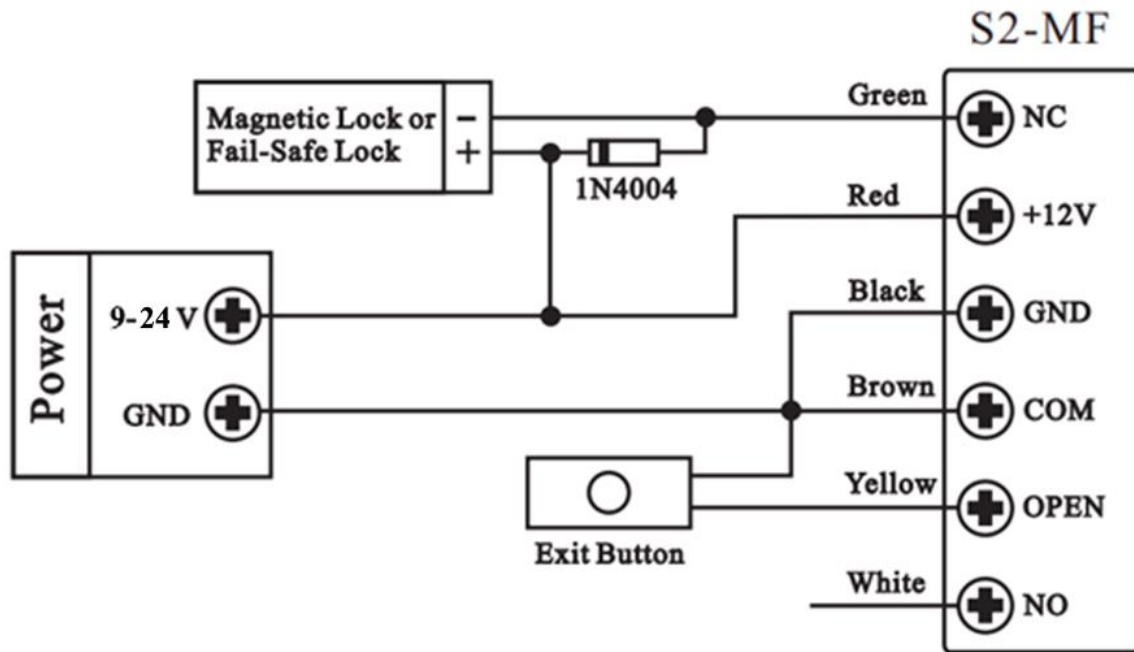
Colour	Function	Notes
Red	Power +	9~18 Votes DC Regulated Power Input
Black	GND	Ground
White	NO	Normally Open Relay Output
Brown	COM	Common Connection for Relay Output
Green	NC	Normally closed Relay Output
Yellow	OPEN	Request to Exit input(REX)

3.2 Sound and LED Status Indicators

Operation Status	LED	Buzzer
Stand by	Solid Red	-
Enter into programming mode	Pulsing Red	One beep
Operation error	-	Three beeps
Exit from the programming mode	Solid Red	One beep
Open lock	Solid Green	One beep
Alarm	Pulsing Red quickly	Beeps
Invalid Card	Pulsing Red	Three beeps

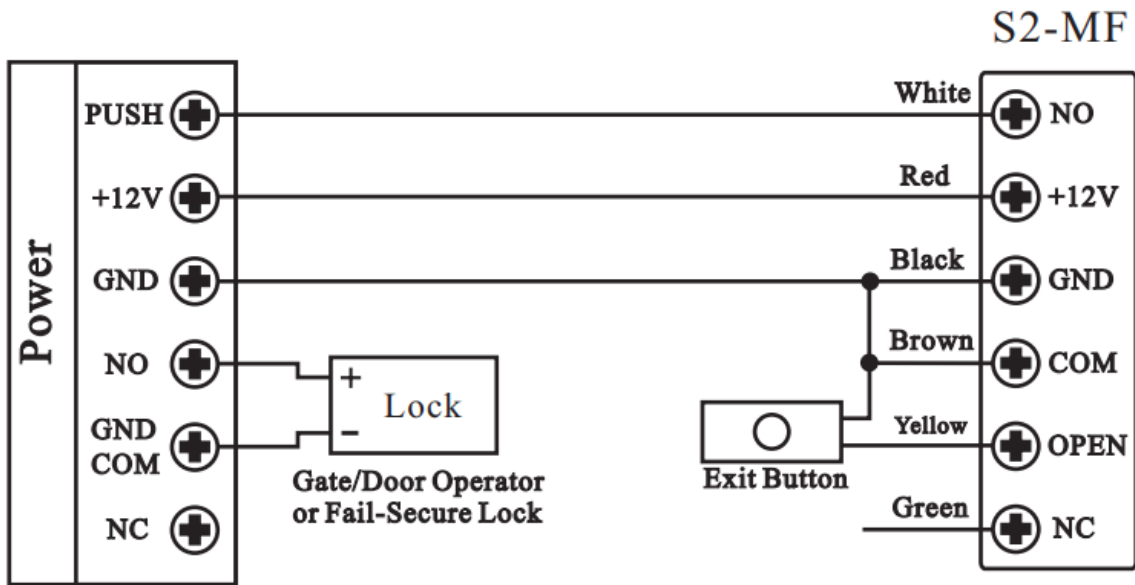
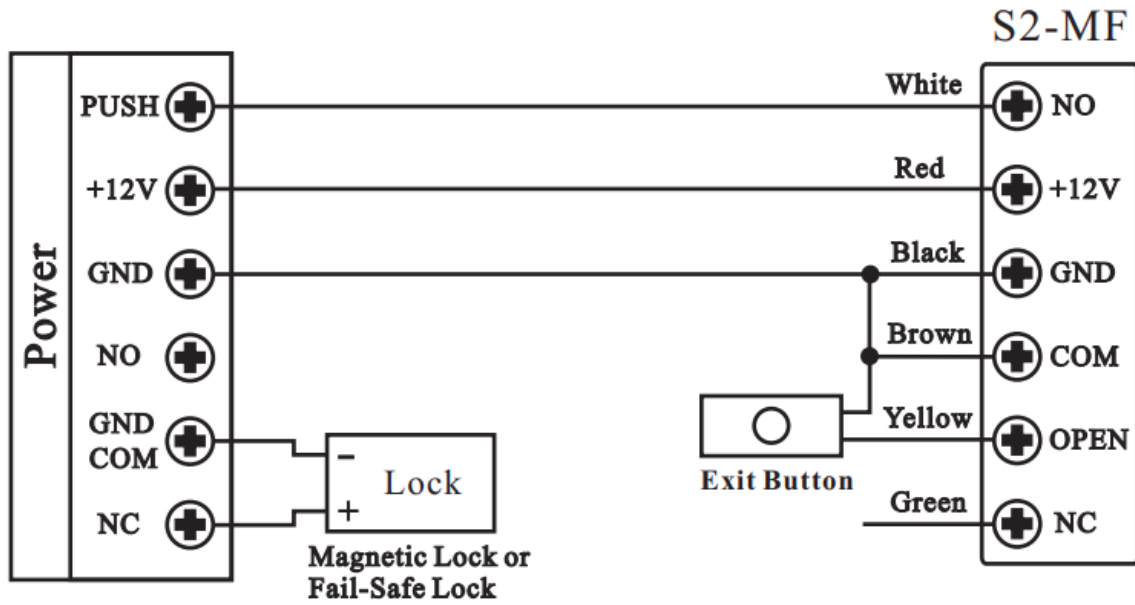
4. Connection Diagram

Common power supply:



Attention: Install a 1N4004 or equivalent diode is needed when use a common power supply, or the reader might be damaged. (1N4004 is included in the packing)

Access Control Power Supply:



5. Master Cards Usage

Using Master Cards is the easiest way to add or delete cards.

Add Card User	<ol style="list-style-type: none"> 1. (Read Master Add Card) 2. (Read User Card) <i>Repeat Step 2 for additional user cards</i> 3. (Read Master Add Card) to stop adding. <p>Note: Same User Card cannot add more than once.</p>
---------------	---------------------------------------------------------------------------------------------------------------------------------------------------------------------------------------------------------------------------------------------------------------------------------------------------

Delete Card User	<ol style="list-style-type: none"> 1. (Read Master Delete Card) 2. (Read User Card) <i>Repeat Step 2 for additional user cards</i> 3. (Read Master Delete Card) to stop deleting.
------------------	---------------------------------------------------------------------------------------------------------------------------------------------------------------------------------------------------------------------------------------------

6. Programming

Programming will vary depending on access configuration. Follow the instructions according to your access configuration.

General Programming Information

- **Remote Control:** Please use the Infrared Remote Control to program the Reader.
- **User ID number:** Assign a user ID to the access card in order to track it. The user ID number can be any number from 1~1000.

IMPORTANT: User IDs do not have to be proceeded with any leading zeros. Recording of User ID is critical. Modifications to the user require the User ID be available.

6.1 Basic Configuration

6.1.1 Enter and Exit Program mode

Programming Step	Keystroke Combination
Enter Program Mode	* (Master Code) # <i>(Factory default is 123456)</i>
Exit Program Mode	*

6.1.2 Set Master Code

Programming Step	Keystroke Combination
1. Enter Program Mode	* (Master Code) #
2. Update Master Code	0 (New Master Code) # (Repeat New Master Code) # <i>(Master code is any 6 digits)</i>
3. Exit Program Mode	*

6.2 Add User Cards

Programming Steps	Keystroke Combination
-------------------	-----------------------

1. Enter Program Mode	* (Master Code) #
Add Card User	
2. Add Card: Using Auto ID (S2-MF reader will automatically assign the next available User ID number to Card)	1 (Read Card) # The cards can be added continuously. <i>For example: 1 (Read Card1)(Read Card2)...#</i> Note: <i>After read card, Card link to an available User ID number.</i>
OR 2. Add Card: Using User ID (Manager set a specific User ID to Card, same User ID can be assigned to different cards, but this is a bad practice)	1 (User ID) # (Read Card) # <i>(User ID is any number from 1-1000)</i> The cards can be added continuously. <i>For example: 1 (User ID)#(Read Card1)#1(User ID)#(Read Card2)...#</i> (Note: each User ID should begin with 1)
3. Exit	*

6.3 Delete Users

Programming Steps	Keystroke Combination
1. Enter Program Mode	* (Master Code) #
Delete Card	
2. Delete Card - By Card OR 2. Delete Card - By User ID (if two cards have the same User ID, the first one added will be deleted, but others cards with same User ID still valid, and can only be deleted using Delete by Card method)	2 (Read Card) # The cards can be deleted continuously. <i>For example: 2(Read Card)(Read Card)....#</i> 2 (User ID) # The cards can be deleted continuously. <i>For example: 2(User ID)#(User ID)#....#</i> <i>After deleting User ID, the associated card will be deleted, too.</i>
Delete All Users	
2. Delete All User	2 (Master Code) # Note: All configuration data is retained.
3. Exit	*

6.4 Set Relay Configuration

The relay configuration sets the behavior of the output relay on activation.

Programming Steps	Keystroke Combination
1. Enter Program Mode	* (Master Code) #

2. Pulse Mode (factory default) OR 2. Latch Mode	3 (1-99) # The relay time is 1-99 seconds. (1 is one second) (Default is 5 seconds) 3 0 # Sets the relay to ON/OFF Latch mode. (If door closed, after read valid card, door will open and remain in open state; only read valid card again – not necessary the same card, the door will close)
3. Exit	*

6.5 Set Strike-out Alarm

The strike-out alarm will engage after 10 failed cards attempts (factory setting is OFF). It can be set to deny access for 10 minutes after engaging or disengage only after entering a valid card or Master code.

Programming Step	Keystroke Combination
1. Enter Program Mode	* (Master Code) #
2. Strike-Out OFF OR 2. Strike-Out ON (silence) OR 2. Strike-Out ON (with Alarm) Set alarm time	4 0 # (factory default) 4 1 # (Access will be denied for 10 minutes) (No way to back to normal, must wait) 4 2 # 5 (0 ~ 3) # , (0 ~ 3 minutes, 0 means no alarm) Read valid User card or Master card to silence.
3. Exit	*

6.6 Set Audible and Visual Response

Programming Step	Keystroke Combination	
1. Enter Program Mode	* (Master Code) #	
2. Control LED OR 2. Control Sounds	OFF = 6 1 # OFF = 6 3 # (read card silence)	ON = 6 2 # ON = 6 4 # (Factory defaults are ON)
3. Exit	*	

7. Others

7.1 Users Operation

Open the door: Read valid user card.

Remove Alarm: Read valid user card or Master card

7.2 Reset to Factory Default & Add Master Cards

Power off access device, press the Exit Button (see connection diagram), hold it and power on, after two beeps, release the Exit button and both green and red LED on with one beep, then read any two 13.56MHz MIFARE card, the LED will turn into solid red, means reset to factory default successfully. Of the two cards reading, the 1st one is Master Add Card, the 2nd one is the Master Delete Card.

After two Master Cards made, should use them to add / delete User cards to make sure everything is all right.

Remarks:

- ① If no Master Cards added, must press the Exit Button for at least 10 seconds before release.
- ② Reset to factory default, the user's information (cards added before) will still be retained.
- ③ Using same ID to assign to cards (Add Card: using User ID), the buzzer will beep 3 times to warn you, but if you insist on using the same User ID, reader will allow you to do so. But this is a very bad practice that should be avoid, because when times comes that you delete the Card by User ID, only the first one added will be deleted, others will remain valid and cannot be deleted using that User ID. The others with the same User ID can only be deleted using Delete Card by Card method afterwards.

S2-MF Simplified Instruction	
Function description	Operation
Enter the programming mode	* (123456) # <i>then you can do the programming.</i> <i>(123456 is the factory default master code)</i>
Change the master code	0 (new code) # (repeat the new code) # <i>(master code: 6 digits)</i>
Add card user	1 (Read Card) # <i>(can add Cards continuously)</i>
Delete card user	2 (Read Card) # <i>(can delete Cards continuously)</i>

Exit from the programming mode	*
--------------------------------	---

How to open the door	
Card User	Read card

8. Questions and Answers

Question 1: If our facility has front and back doors, both use S2-MF readers, how can we use front door card to open back door?

Answer: If you want to make a single card to open front and back door, you must add this very card to both front and back door reader.

Question 2: Could front door infrared control unit use to program back door reader?

Answer: Yes, but the front door infrared control unit must input correct Master Code stored in back door reader.

Question 3: If add front door card using User ID at front door reader, and add a different back door card using same User ID at back door reader, since the two different cards use the same User ID, can they use to open both front and back door?

Answer: No, you cannot. Because reader is stored the card number as valid code to open door, different cards have different card number, although they have the same User ID, they still cannot use interchangeably to open the door.

Question 4: Could another company use their S2-MF infrared control unit to program our reader?

Answer: Yes, as long as they know your reader's Master Code. So it is better changing the reader's default Master Code to prevent this situation.

Question 5: What if I add a single card to a reader twice?

Answer: The reader will reject and use beeps to warn you.